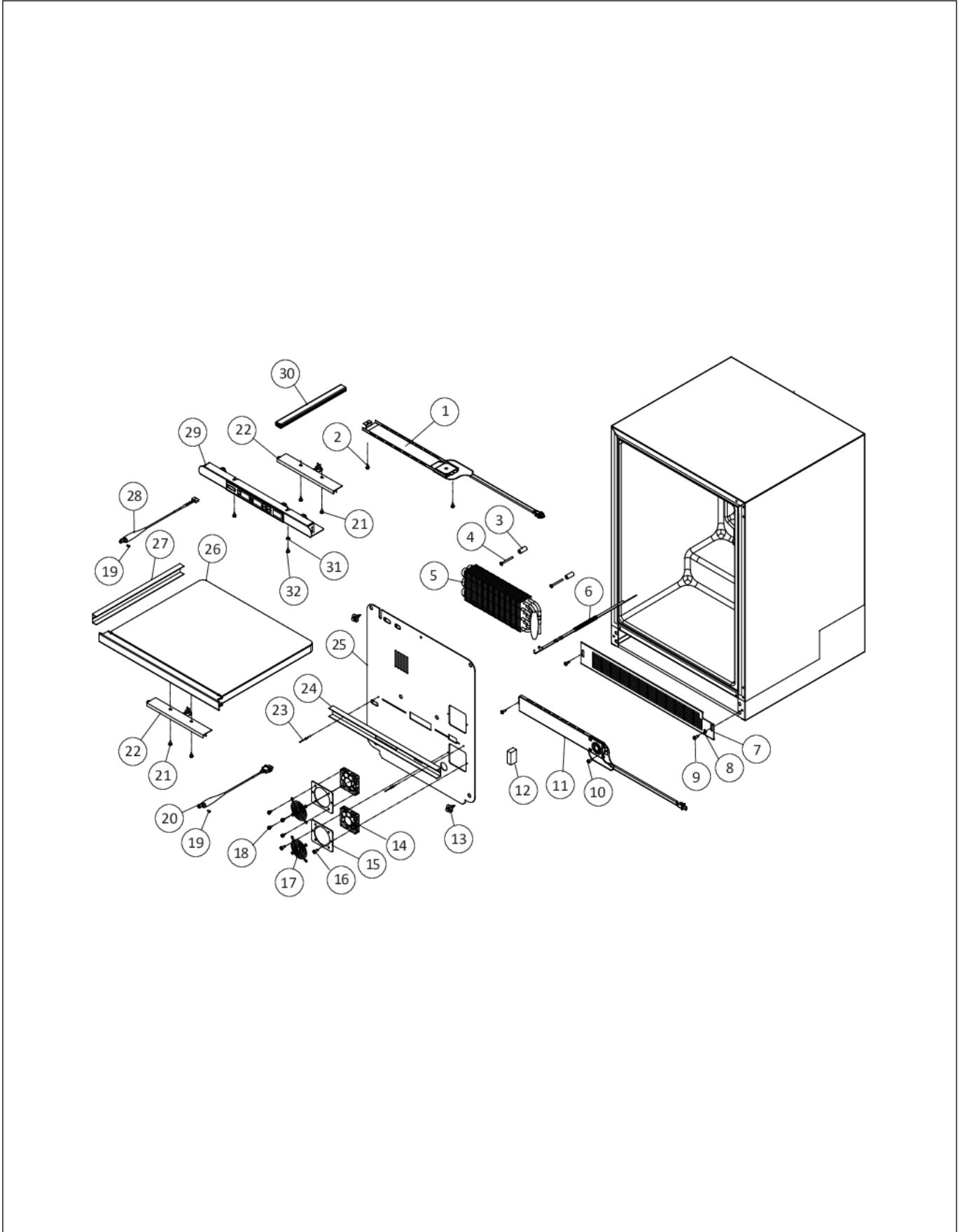


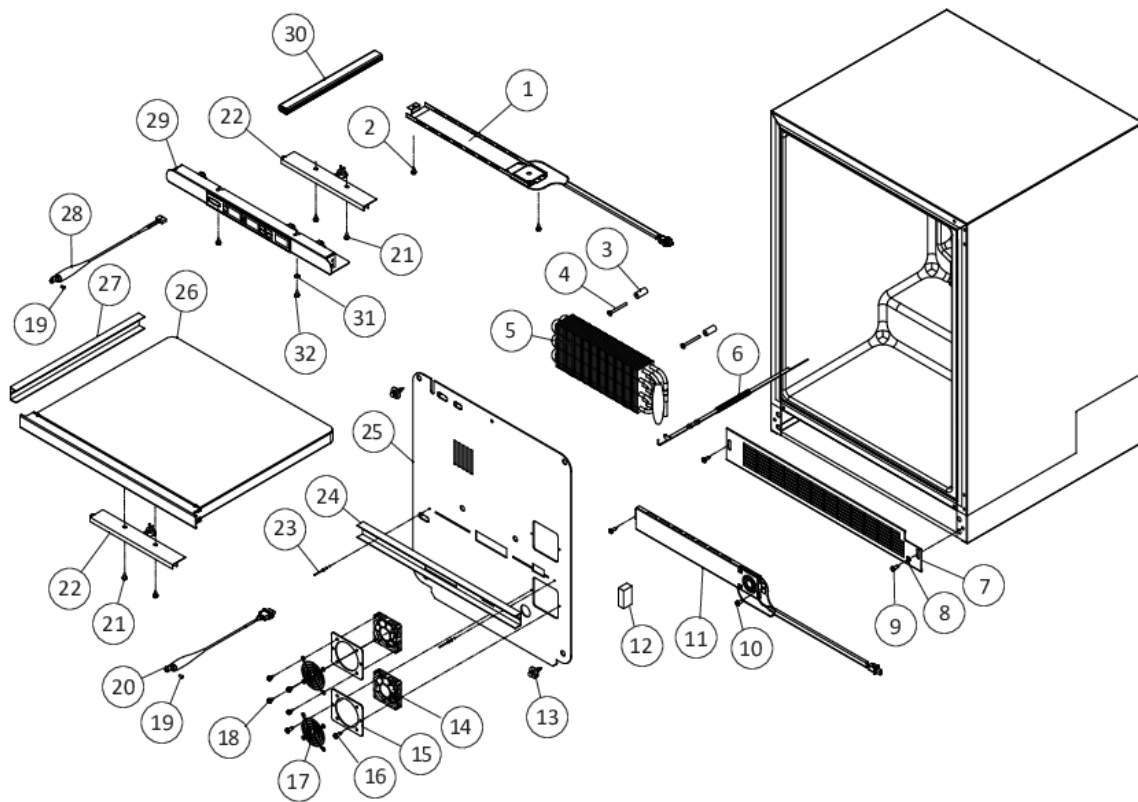
DFUW2441AFTER1-1-2010

CABINET	1
FOL DOOR	2
HINGES	3
MECHANICAL	4
SHELVING & BACK PANEL	5
WIRING DIAGRAM	6
Appendix A:Pages Index	A
Appendix B:Parts Index	B

CABINET



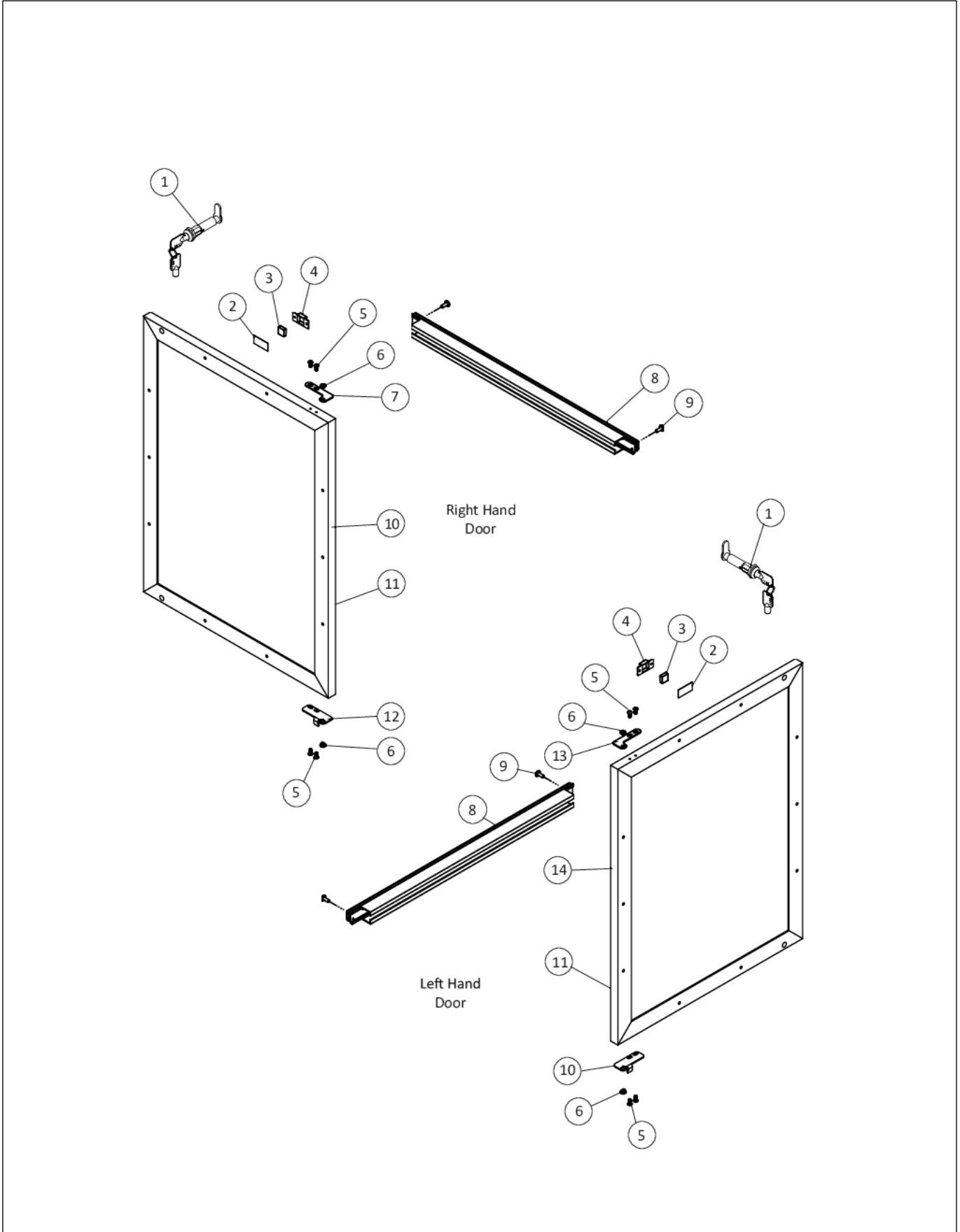
Item	Part No.	Name	Qty	Uom	NOTES
1	028432-000	FAN/HEATER ASSEMBLY, UPPER COMPARTMENT	1	EA	
3	028527-000	1.09" LONG SPACER	2	EA	
4	022926-000	#10-32 X 2ø SCREW	2	EA	
5	028518-000	EVAPORATOR ASSEMBLY	1	EA	
6	028528-000	HEAT EXCHANGER ASSEMBLY	1	EA	
7	022357-000	BLACK GRILLE	1	EA	
8	022358-000	THERMAL CUT-OUT N.O. 60 DEGREES	1	EA	Not available online / Call for pricing and availability
9	022361-000	STIRRER MOTOR	2	EA	
10	028519-000	#10 X 1/2 HEX WASHER HEAD SCREW	2	EA	
11	028437-000	FAN/HEATER ASSEMBLY, LOWER COMPARTMENT	1	EA	
12	028526-000	SPACER	2	EA	
13	028524-000	TUFLOK FASTNER	6	EA	
14	028439-000	EVAPORATOR FAN ASSY	2	EA	
15	028523-000	MOUNTING COVER, EVAPORATOR FAN	1	EA	Not available online / Call for pricing and availability
16	022361-000	STIRRER MOTOR	4	EA	
17	028522-000	WIRE FAN GUARD	2	EA	Not available online / Call for pricing and availability
18	028519-000	#10 X 1/2 HEX WASHER HEAD SCREW	2	EA	
19	028520-000	#10 X 1/2 SCREW	1	EA	
20	028438-000	THERMISTOR/HARNESS ASSEMBLY, LOWER COMP.	1	EA	
21	022440-000	#10 X 5/8 HEX HEAD SCREW	2	EA	
22	PS100007	AURA LIGHT ASSY (BLACK) 42245124	1	EA	
23	028525-000	POP RIVET	2	EA	
24	028521-000	DIVIDER SUPPORT	1	EA	
25	028445-000	EVAPORATOR COVER	1	EA	
26	028442-000	DIVIDER ASSEMBLY, RIGHT- HAND	1	EA	





Item	Part No.	Name	Qty	Uom	NOTES
26	028443-000	DIVIDER ASSEMBLY, LEFT-HAND	1	EA	
27	028521-000	DIVIDER SUPPORT	2	EA	
28	028448-000	THERMISTOR/HARNESS ASSEMBLY, UPPER COMP. W/ SCREW	1	EA	
29	028446-000	U/I DISPLAY ASSY, GLASS DOOR, BLACK W/ SCREWS & WASHERS	1	EA	
30	028449-000	WIRE CONDUIT	1	EA	
31	022478-000	#10 EXTERNAL TOOTH STAR WASHER, SS	2	EA	
32	022929-000	#10-32 X 1/2 MACHINE SCREW	2	EA	Not available online / Call for pricing and availability

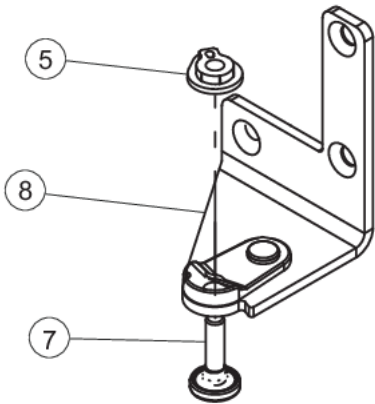
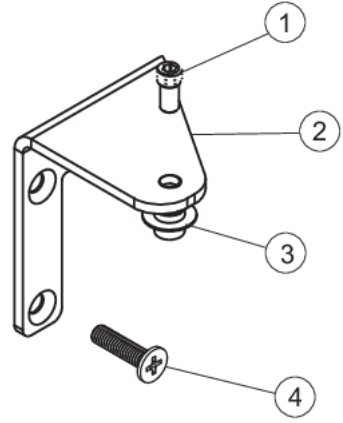
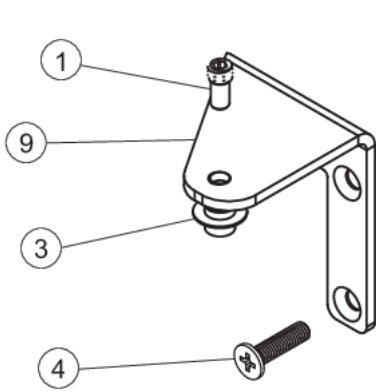
FOL DOOR



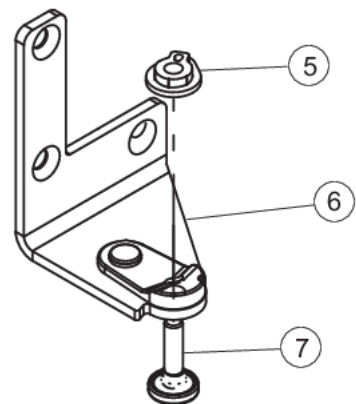


Item	Part No.	Name	Qty	Uom	NOTES
1	028352-000	MAGNET	1	EA	
2	028353-000	MAGNET SWITCH RETAINER	1	EA	
3	022248-000	1/4-20 X 1/2 BUTTON HEAD CAP SCREW	4	EA	
4	028355-000	TOP HINGE ADAPTER, R.H. DOOR (SHOWN)	1	EA	
5	022414-000	BEARING, HINGE PIN UPPER	1	EA	
6	PW230124	MAGNETIC GASKET, BLACK	1	EA	
7	028358-000	#6-20 X 3/4 TYPE AB SCREW	2	EA	
8	PW230124	MAGNETIC GASKET, BLACK	1	EA	
9	022423-000	DOOR CLOSER CAM FOLLOWER	1	EA	
10	022424-000	SCREW : 4MM X 10MM	1	EA	
11	028546-000	DOOR ASSY, DES, RH, FOL, W/LOCK	1	EA	
12	028480-000	LOCK, DOOR	1	EA	
13	022900-000	TOP HINGE ADAPTER, LEFT HAND	1	EA	
14	028547-000	DOOR ASSY, DES, LH, FOL, W/LOCK	1	EA	
15	022427-000	DOOR STOP, L.H.	1	EA	
16	N/A	DOUBLE FACED TAPE 3/4" W X 2" LONG	1	EA	

HINGES



Right Hand

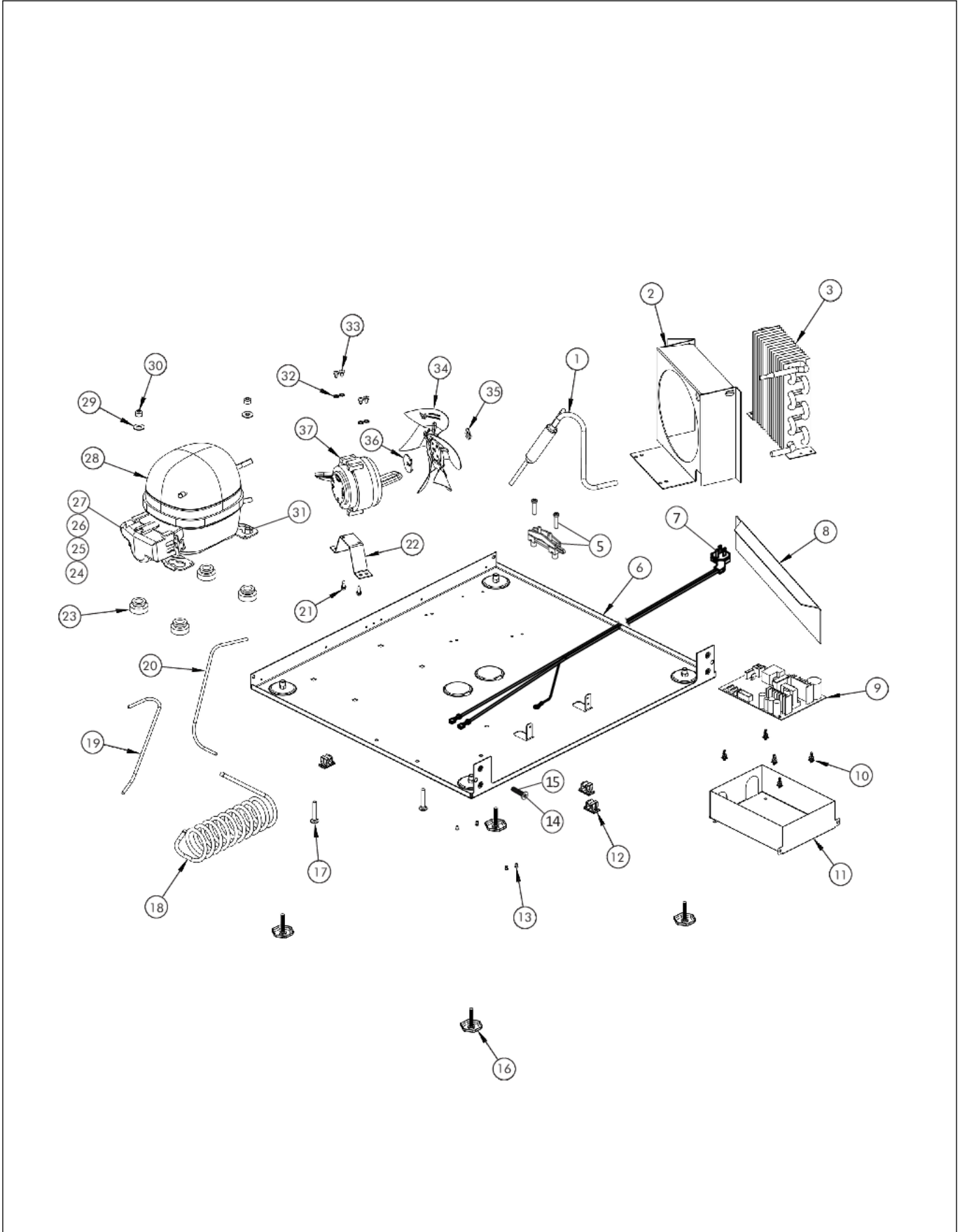


Left Hand



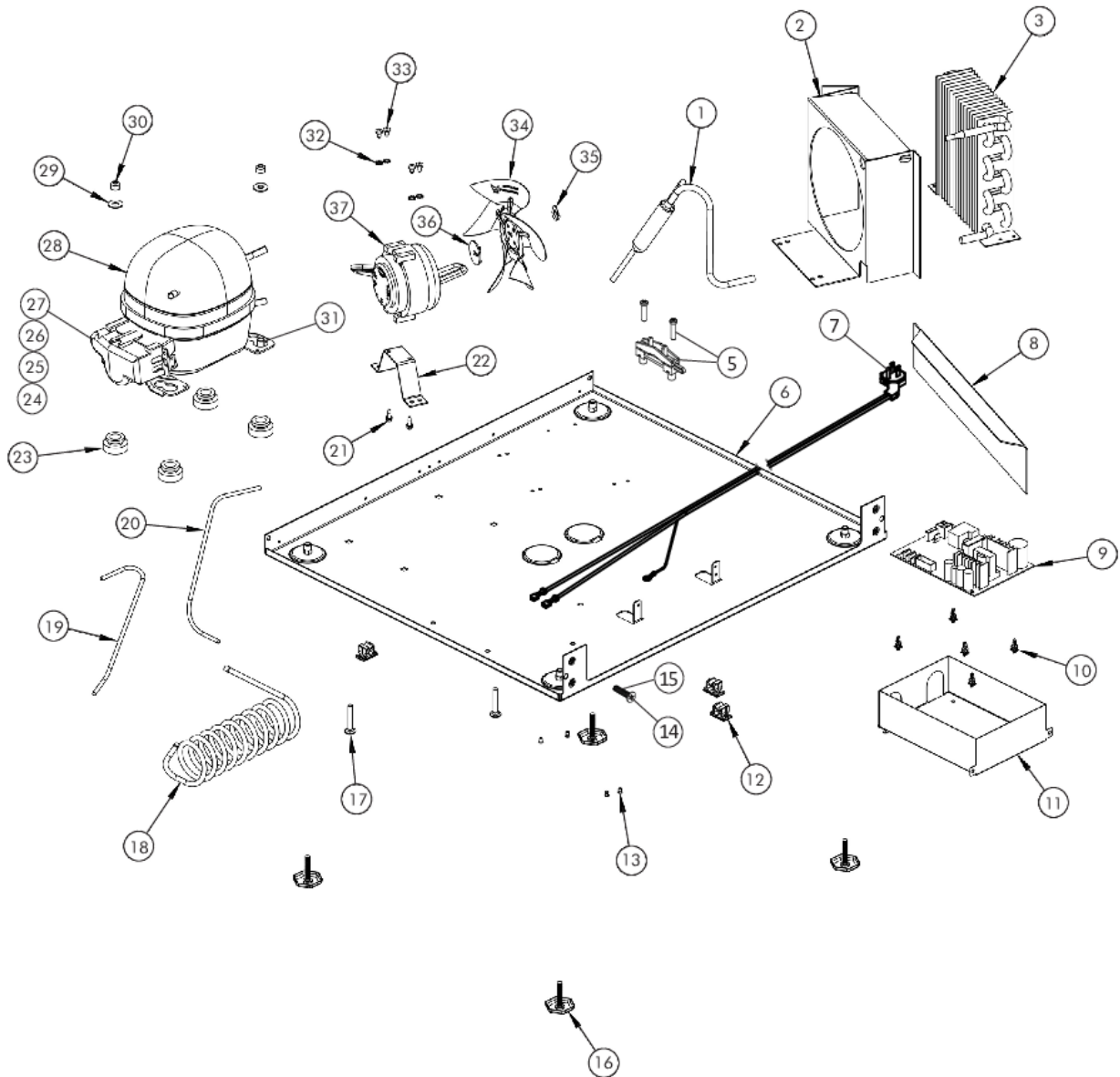
Item	Part No.	Name	Qty	Uom	NOTES
1	028354-000	SUBS TO PW200032 - Hinge Pin, Top	1	EA	
2	022416-000	UPPER DOOR HINGE L.H.	1	EA	
3	022414-000	BEARING, HINGE PIN UPPER	1	EA	
4	022252-000	10-32 X 3/4 COUNTERSUNK SCREW	6	EA	
5	022423-000	DOOR CLOSER CAM FOLLOWER	1	EA	
6	022420-000	BOTTOM DOOR HINGE, L.H.	1	EA	
7	022240-000	LOWER HINGE PIN	1	EA	
8	022417-000	BOTTOM DOOR HINGE, R.H.	1	EA	
9	022415-000	UPPER DOOR HINGE R.H.	1	EA	

MECHANICAL





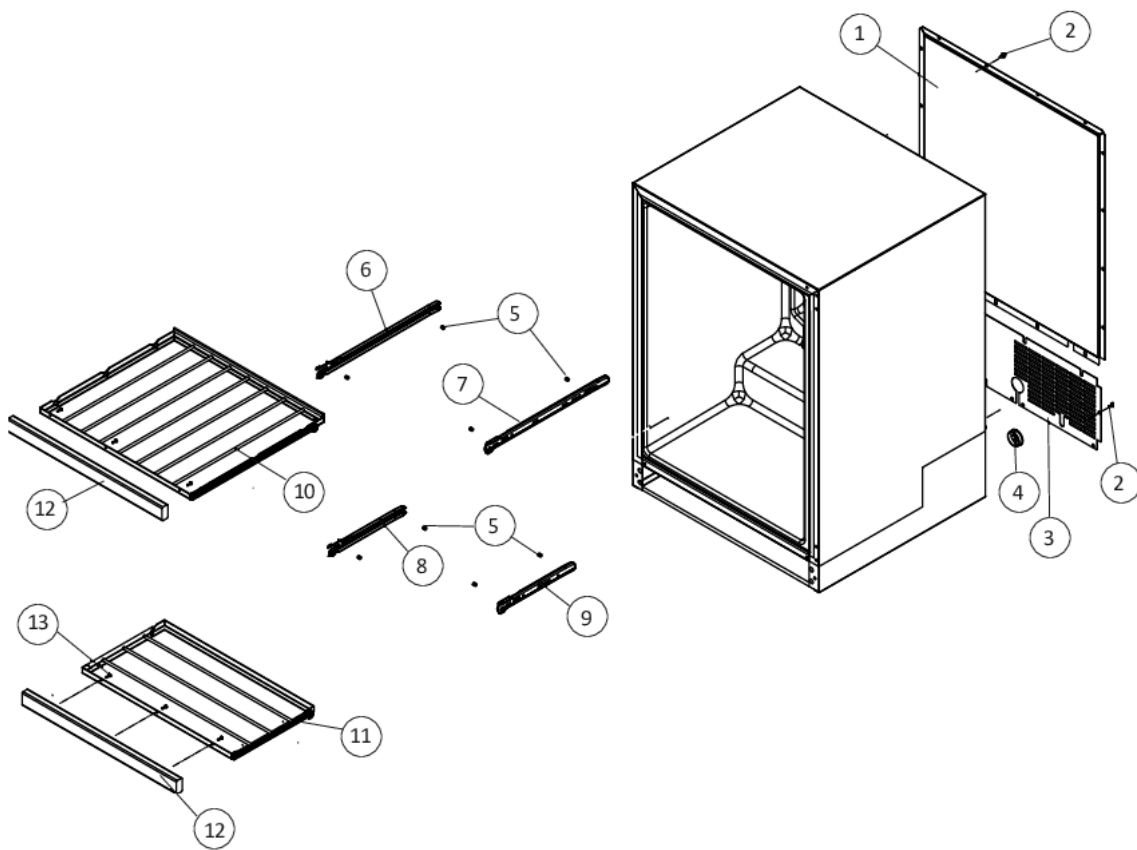
Item	Part No.	Name	Qty	Uom	NOTES
1	028450-000	DRIER ASSEMBLY	1	EA	
2	028451-000	CONDENSER FAN SHROUD	1	EA	
3	PW240004	CONDENSER, R-134A	1	EA	
5	022380-000	Power Cord Clamp and 4mm x 20 mm screws	1	EA	
6	028535-000	MECHANICAL BASEPLATE	1	EA	Not available online / Call for pricing and availability
7	028377-000	POWER CORD	1	EA	
8	022374-000	Air Baffle	1	EA	
9	028454-000	MAIN ELECTRONIC CONTROL ASSY	1	EA	
10	028538-000	Control Standoff	5	EA	
11	028539-000	MAIN CONTROL HOUSING	1	EA	
12	022359-000	FASTEX CLAMP	4	EA	
13	022401-000	POP RIVET #AD43ABS ALUMINUM	4	EA	
14	022252-000	10-32 X 3/4 COUNTERSUNK SCREW	4	EA	
15	022403-000	#10 Countersunk Flatwasher	4	EA	
16	022366-000	LEG LEVELER	4	EA	
17	028537-000	1/4-20 X 1 1/2 CARRIAGE BOLT	2	EA	Not available online / Call for pricing and availability
18	022839-000	PRECOOLER	1	EA	
19	028456-000	TUBE, COMPRESSOR TO PRECOOLER	1	EA	
20	028457-000	TUBE, PRECOOLER TO CONDENSER	1	EA	
21	N/A	#8-36 SCREW	2	EA	
22	N/A	FAN MOTOR BRACKET	1	EA	
23	022908-000	Grommet	4	EA	
24	022368-000	TERMINAL COVER	1	EA	
25	022368-000	TERMINAL COVER	1	EA	
26	028540-000	OVERLOAD	1	EA	
27	PS100021	PTC RELAY (42245131) 152 WC	1	EA	





Item	Part No.	Name	Qty	Uom	NOTES
28	028455-000	TECUMSEH COMPRESSOR ASSY	1	EA	
29	022388-000	Flat Washer	2	EA	
30	022395-000	1/4-20 Hex Lock Nut	2	EA	
31	022912-000	Sleeve	3	EA	
32	022358-000	THERMAL CUT-OUT N.O. 60 DEGREES	4	EA	Not available online / Call for pricing and availability
33	022879-000	#10-32 x 5/16" Phillips Pan Head Screw	4	EA	
34	028421-000	SUBS TO PW200037 - FAN BLADE	1	EA	
35	N/A	TINNERMAN NUT	1	EA	
36	N/A	FAN SILENCER	1	EA	
37	028458-000	FAN MOTOR ASSY	1	EA	
NI	PW300152	FAN MOTOR ASSY (VUIM150) 42244701	1	EA	

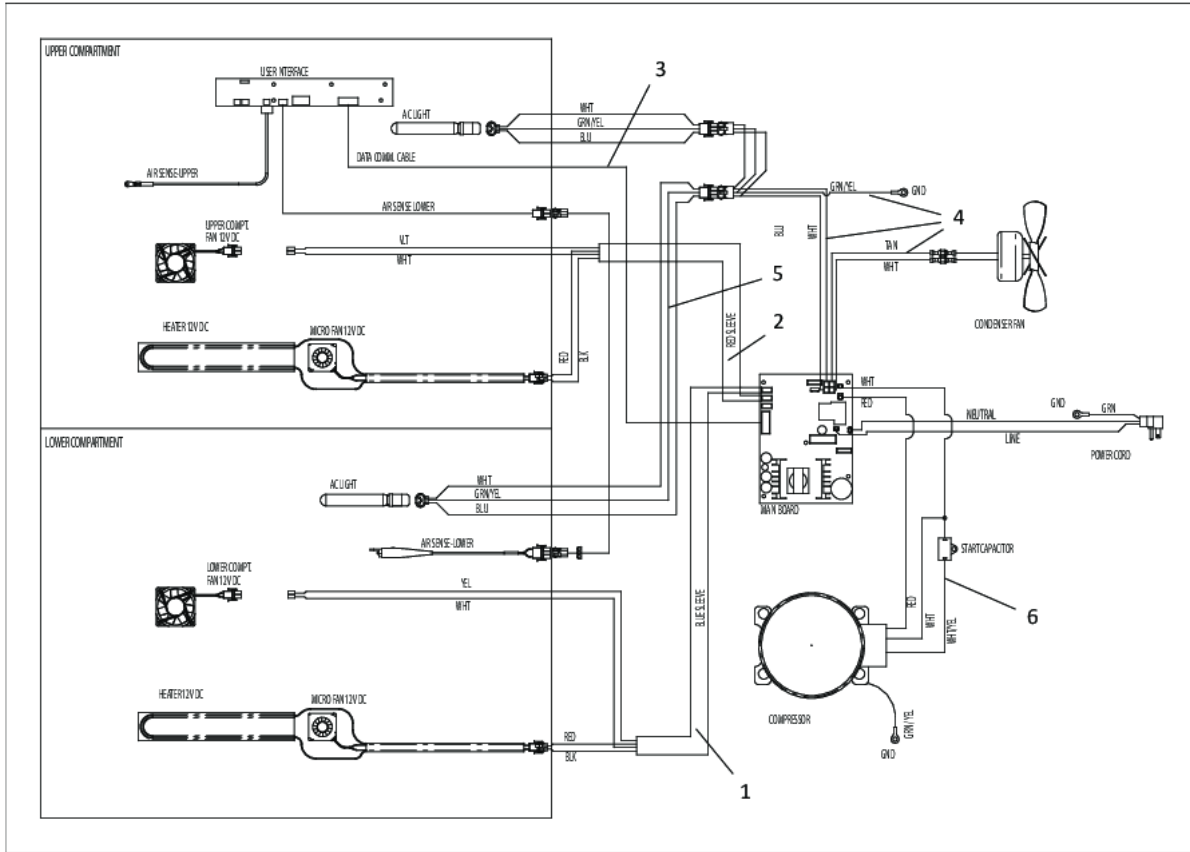
SHELVING & BACK PANEL





Item	Part No.	Name	Qty	Uom	NOTES
1	009926-000	BACK PANEL SERV ASM	1	EA	Not available online / Call for pricing and availability
2	022440-000	#10 X 5/8 HEX HEAD SCREW	24	EA	
3	028529-000	ACCESS COVER	1	EA	
4	022354-000	Heyco Bushing	1	EA	
5	028530-000	COUNTERSUNK RIVET	24	EA	
6	028531-000	ROLLER SLIDE LEFT OUTER 400MM	5	EA	
7	028532-000	ROLLER SLIDE RIGHT OUTER 400MM	5	EA	
8	028533-000	ROLLER SLIDE LEFT OUTER 250MM	1	EA	
9	028534-000	ROLLER SLIDE RIGHT OUTER 250MM	1	EA	
10	028444-000	UPPER SHELF ASSEMBLY	5	EA	
11	028440-000	LOWER SHELF ASSEMBLY	1	EA	
12	028441-000	WOOD SHELF FRONT	6	EA	
13	028358-000	#6-20 X 3/4 TYPE AB SCREW	18	EA	

WIRING DIAGRAM





Item	Part No.	Name	Qty	Uom	NOTES
1	028541-000	HARNESS BOTTOM COMPARTMENT FAN AND HEATER	1	EA	
2	028542-000	HARNESS TOP COMPARTMENT FAN AND HEATER	1	EA	
3	028460-000	COMMUNICATION HARNESS ASSEMBLY	1	EA	
4	028543-000	HARNESS CONDENSER FAN AND AC LIGHT	1	EA	
5	028544-000	HARNESS AC LIGHT	1	EA	
6	028545-000	COMPRESSOR HARNESS	1	EA	



Appendix A:Pages Index

CABINET 1
FOL DOOR 2
HINGES 3
MECHANICAL 4
SHELVING & BACK PANEL 5
WIRING DIAGRAM 6



Appendix B:Parts Index

009926-000	5	028421-000	4
022240-000	3	028432-000	1
022248-000	2	028437-000	1
022252-000	3, 4	028438-000	1
022354-000	5	028439-000	1
022357-000	1	028440-000	5
022358-000	1, 4	028441-000	5
022359-000	4	028442-000	1
022361-000	1, 1	028443-000	1
022366-000	4	028444-000	5
022368-000	4, 4	028445-000	1
022374-000	4	028446-000	1
022380-000	4	028448-000	1
022388-000	4	028449-000	1
022395-000	4	028450-000	4
022401-000	4	028451-000	4
022403-000	4	028454-000	4
022414-000	2, 3	028455-000	4
022415-000	3	028456-000	4
022416-000	3	028457-000	4
022417-000	3	028458-000	4
022420-000	3	028460-000	6
022423-000	2, 3	028480-000	2
022424-000	2	028518-000	1
022427-000	2	028519-000	1, 1
022440-000	1, 5	028520-000	1
022478-000	1	028521-000	1, 1
022839-000	4	028522-000	1
022879-000	4	028523-000	1
022900-000	2	028524-000	1
022908-000	4	028525-000	1
022912-000	4	028526-000	1
022926-000	1	028527-000	1
022929-000	1	028528-000	1
028352-000	2	028529-000	5
028353-000	2	028530-000	5
028354-000	3	028531-000	5
028355-000	2	028532-000	5
028358-000	2, 5	028533-000	5
028377-000	4	028534-000	5
		028535-000	4



028537-000	4
028538-000	4
028539-000	4
028540-000	4
028541-000	6
028542-000	6
028543-000	6
028544-000	6
028545-000	6
028546-000	2
028547-000	2
PS100007	1
PS100021	4
PW230124	2, 2
PW240004	4
PW300152	4